


PRODUCT SHEET

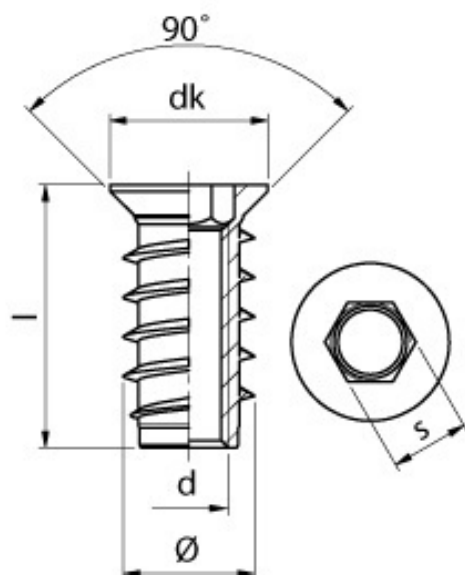
Description:

Screw-In Bushing M-817, M8x17mm, Steel, BZP, Hex 8mm

Item number:

12.10.289-0

| Units | Box | Carton | HS Code | Barcode |
|-------|-----|--------|------------|--|
| Pcs. | 1 | 2000 | 7318190090 |  |
| | | | | 5704866442169 |



| s | d | Ø | dk | l |
|---|----|------|----|----|
| 8 | M8 | 12.5 | 14 | 17 |